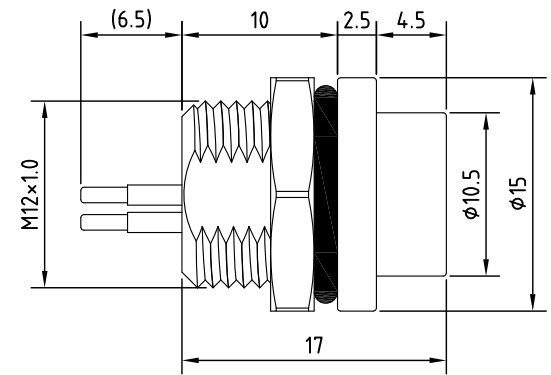
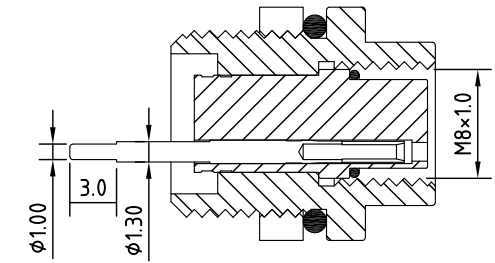
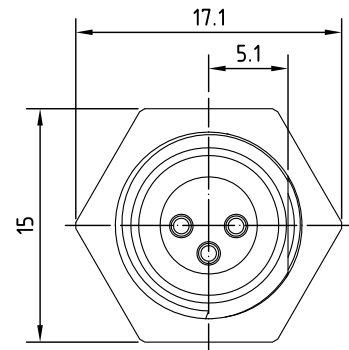


REV.	Description	Date
1	rated voltage revise	2018/10/5

Specification of connector

Locking system : screw M8
 Termination : DIP
 Shell protection : IP68
 Rated voltage : 125V
 Rated current : 5A
 Contact resistance : $\leq 10\text{m}\Omega$
 Insulation resistance : $>10\text{M}\Omega$

RoHS
TOLERANCE X \pm 0.5 .X \pm 0.3 .XX \pm 0.2



PART NO.	UT-SP205M1-3P-02	UT-SP205M1-4P-02
CONTACT ARRANGEMENT FRONT VIEW (FEMALE)		
PCB Layout		

5	Nut	Brass	Nickel plated
4	O ring	Rubber	
3	Body	Brass	Nickel plated
2	Pin	Brass	Gold plated
1	Housing	PA	UL94V-0
Item	Description	Material	Treat & Remark



Unicable Co., Ltd. 國陽電業有限公司

SF., No. 111-33, Sec. 4, San Ho Road., San Chung Dist., New Taipei City, Taiwan, R.O.C.
<http://www.unicable.com.tw> TEL:+886-2-2286-2122 FAX:+886-2-2286-1010

DATE	2018/10/5	PART NO.	UT-SP205M1-XP-02
DWN	GINA	REV.	1
CHK			
UNIT	MM		

ITEM	Sensor Connector M8(3-4PIN)
------	-----------------------------